

BLDC 65S53A

55.P.050

Brushless 3 – Phase DC Motor

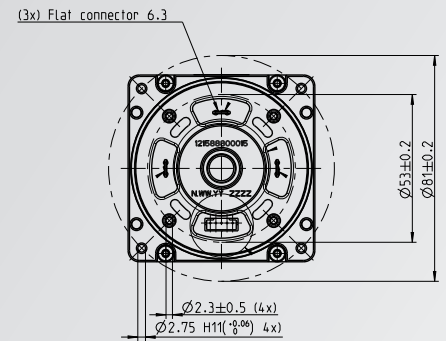
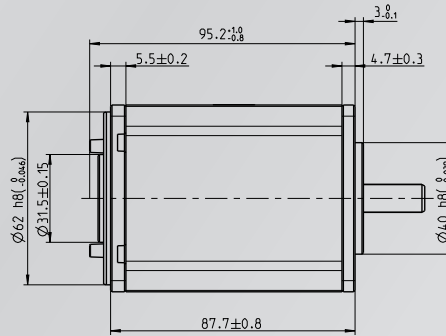
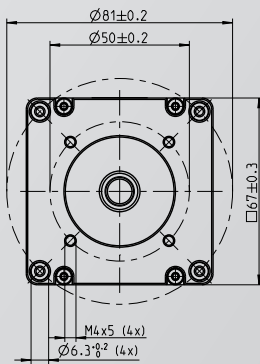


Rated Voltage	No Load Speed	Rated Speed	Cont. Power	Rated Torque	Current at rated Speed	Efficiency at Duty Point
---------------	---------------	-------------	-------------	--------------	------------------------	--------------------------

[V]	[rpm]	[rpm]	[W]	[mNm]	[A]	[%]
-------	---------	---------	-------	---------	-------	-------

48	3.585	3.550	184	495	3,9	89
----	-------	-------	-----	-----	-----	----

Motor Code: 121588800015



General informations

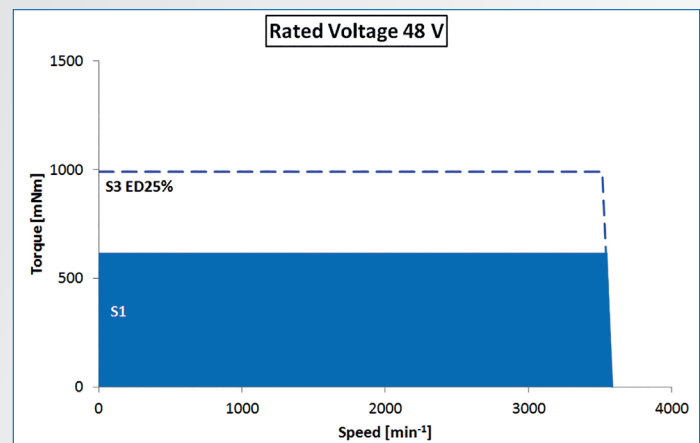
- **Class of protection:** IP20
- **Mounting position:** free
- **Duty cycle:** up to 100 %
- **Bearing system:** Ball Bearings
- **Torque Constant:** 121,3 mNm/A
- **Weight:** 1,52 kg
- **Rotor Inertia:** 430 gcm²
- **Oper. Temp. Range:** 0 °C to +45 °C
- **Max. Temp. Rise:** 70 K
- **Direction of Rotation:** CW / CCW
- **Class of Insulation:** H
- **Shaft Material:** Steel, not hardened
- **Number of Poles:** 8

Options

- **Integrated Drive Electro.:** Yes
- **Planetary Gearbox:** Yes
- **Sensorless Operation:** No
- **Shaft hardened (Surface):** Yes

Features

- High power-to-volume ratio
- High efficiency at duty point
- Extremely reliable



PM DM

Minebea Group of Companies
 Minebea-Weg 1
 78052 Villingen-Schwenningen
 GERMANY
 www.pmdm.de
 Phone: +49 (0)7721 997-100
 E-Mail: sales@pmdm.de

Minebea
 Passion to Exceed Precision