

BLDC 65S35A

41.P.060

Brushless 3 – Phase DC Motor

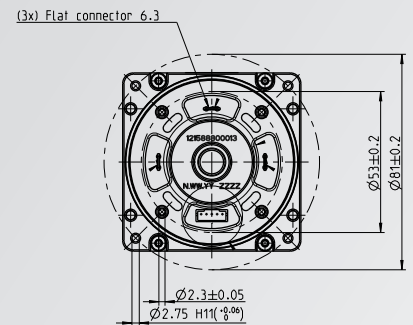
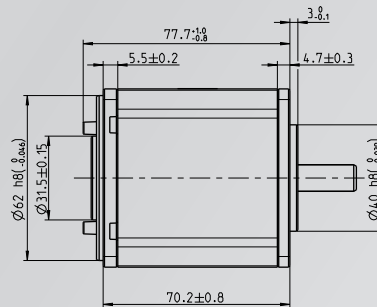
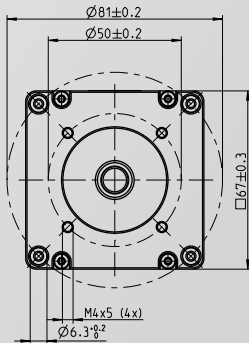


| Rated Voltage | No Load Speed | Rated Speed | Cont. Power | Rated Torque | Current at rated Speed | Efficiency at Duty Point |
|---------------|---------------|-------------|-------------|--------------|------------------------|--------------------------|
|---------------|---------------|-------------|-------------|--------------|------------------------|--------------------------|

| [V] | [rpm] | [rpm] | [W] | [mNm] | [A] | [%] |
|-------|---------|---------|-------|---------|-------|-------|
|-------|---------|---------|-------|---------|-------|-------|

| | | | | | | |
|----|-------|-------|-----|-----|-----|----|
| 24 | 3.630 | 3.460 | 138 | 380 | 6,0 | 87 |
|----|-------|-------|-----|-----|-----|----|

Motor Code: 121588800013



General informations

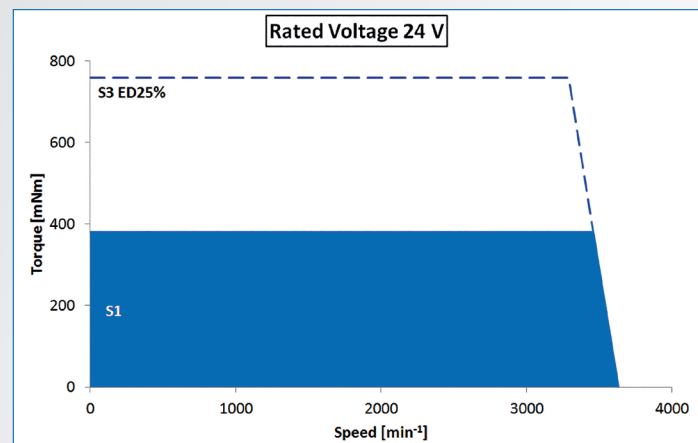
- **Class of protection:** IP20
- **Mounting position:** free
- **Duty cycle:** up to 100 %
- **Bearing system:** Ball Bearings
- **Torque Constant:** 60,4 mNm/A
- **Weight:** 1,19 kg
- **Rotor Inertia:** 301 gcm²
- **Oper. Temp. Range:** 0 °C to +45 °C
- **Max. Temp. Rise:** 70 K
- **Direction of Rotation:** CW / CCW
- **Class of Insulation:** H
- **Shaft Material:** Steel, not hardened
- **Number of Poles:** 8

Options

- **Integrated Drive Electro.:** Yes
- **Planetary Gearbox:** Yes
- **Sensorless Operation:** No
- **Shaft hardened (Surface):** Yes

Features

- High power-to-volume ratio
- High efficiency at duty point
- Extremely reliable



PM·DM

Minebea Group of Companies
 Minebea-Weg 1
 78052 Villingen-Schwenningen
 GERMANY
 www.pmdm.de
 Phone: +49 (0)7721 997-100
 E-Mail: sales@pmdm.de

Minebea
 Passion to Exceed Precision