

# BLDC 65S18A

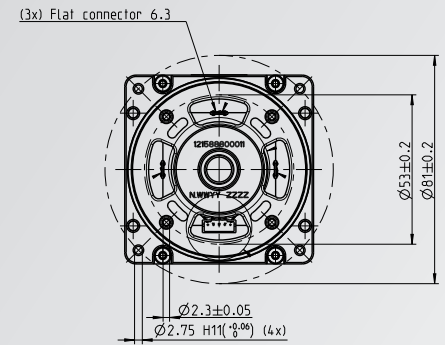
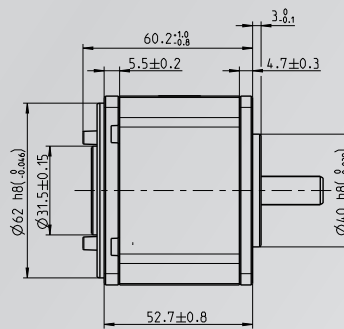
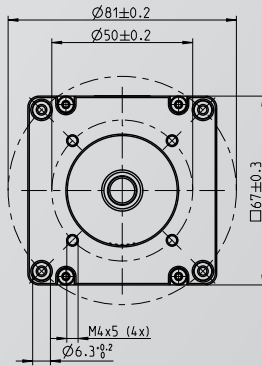
81.P.040

Brushless 3 – Phase DC Motor



| Rated Voltage | No Load Speed | Rated Speed | Cont. Power | Rated Torque | Current at rated Speed | Efficiency at Duty Point |
|---------------|---------------|-------------|-------------|--------------|------------------------|--------------------------|
| [ V ]         | [ rpm ]       | [ rpm ]     | [ W ]       | [ mNm ]      | [ A ]                  | [ % ]                    |
| 24            | 3.740         | 3.230       | 99          | 291          | 4,5                    | 86                       |

Motor Code: 121588800011



## General informations

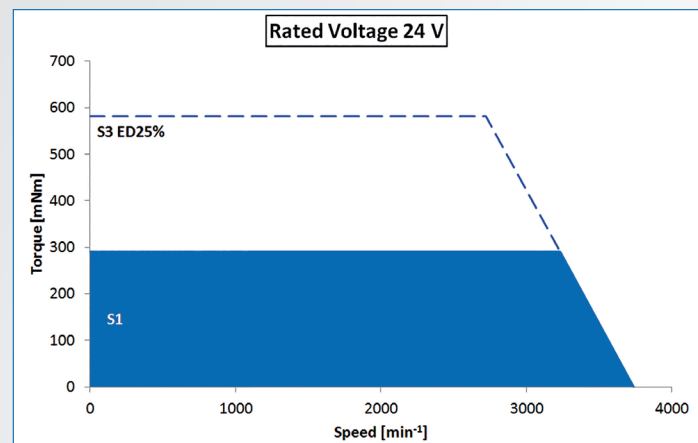
- **Class of protection:** IP20
- **Mounting position:** free
- **Duty cycle:** up to 100 %
- **Bearing system:** Ball Bearings
- **Torque Constant:** 59,6 mNm/A
- **Weight:** 0,75 kg
- **Rotor Inertia:** 170 gcm<sup>2</sup>
- **Oper. Temp. Range:** 0 °C to +45 °C
- **Max. Temp. Rise:** 70 K
- **Direction of Rotation:** CW / CCW
- **Class of Insulation:** H
- **Shaft Material:** Steel, not hardened
- **Number of Poles:** 8

## Options

- **Integrated Drive Electro.:** Yes
- **Planetary Gearbox:** Yes
- **Sensorless Operation:** No
- **Shaft hardened (Surface):** Yes

## Features

- High power-to-volume ratio
- High efficiency at duty point
- Extremely reliable



# PM·DM

Minebea Group of Companies  
 Minebea-Weg 1  
 78052 Villingen-Schwenningen  
 GERMANY  
 www.pmdm.de  
 Phone: +49 (0)7721 997-100  
 E-Mail: sales@pmdm.de

**Minebea**  
 Passion to Exceed Precision