

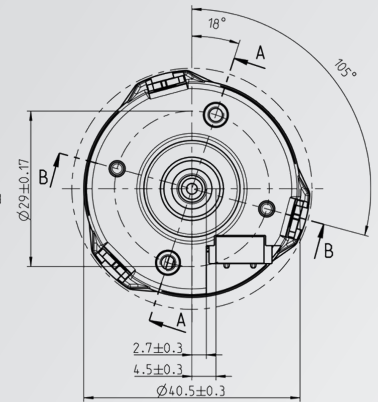
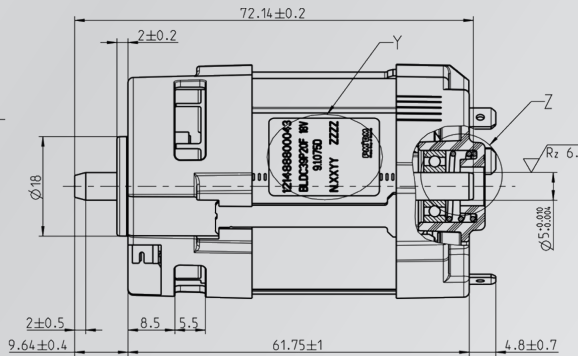
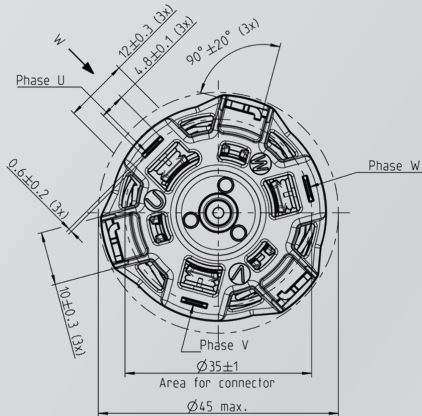
BLDC 39P30F

9.1.075D

Brushless 3 – Phase DC Motor

Rated Voltage	No Load Speed	Rated Speed	Cont. Power	Rated Torque	Current at rated Speed	Efficiency at Rated Speed
[V]	[rpm]	[rpm]	[W]	[mNm]	[A]	[%]
18	20.150	15.815	260	157	17	84

Motor Code: 121488800043



General informations

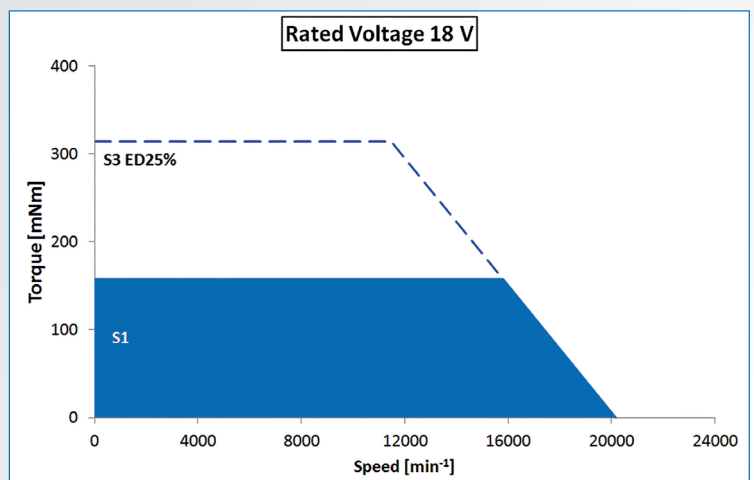
- **Class of protection:** IP20
- **Mounting position:** free
- **Duty cycle:** up to 100 %
- **Bearing system:** Ball Bearings
- **Torque Constant:** 8,2 mNm/A
- **Weight:** 0,25 kg
- **Rotor Inertia:** 48 gcm²
- **Oper. Temp. Range:** -20 °C to +45 °C
- **Max. Temp. Rise:** 70 K
- **Direction of Rotation:** CW / CCW
- **Class of Insulation:** F
- **Shaft Material:** Steel
- **Number of Poles:** 6

Options

- **Integrated Drive Electro.:** No
- **Planetary Gearbox:** No
- **Sensorless Operation:** Yes
- **Shaft hardened (Surface):** Yes

Features

- High power-to-volume ratio
- High efficiency at duty point
- Extremely reliable



PM DM

Minebea Group of Companies
 Minebea-Weg 1
 78052 Villingen-Schwenningen
 GERMANY
 www.pmdm.de
 Phone: +49 (0)7721 997-100
 E-Mail: sales@pmdm.de

Minebea
 Passion to Exceed Precision