

BLDC 36P16A

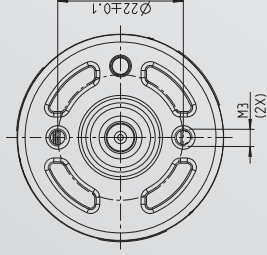
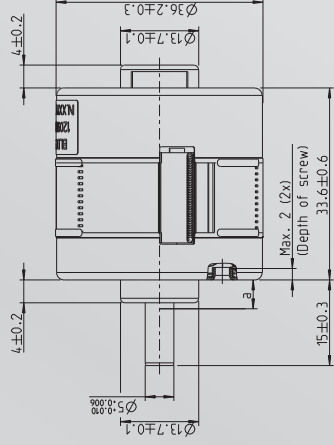
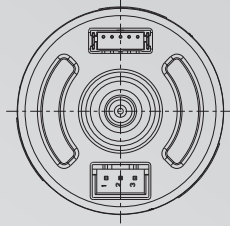
36.1.040D

Brushless 3 – Phase DC Motor



Rated Voltage [V]	No Load Speed [rpm]	Rated Speed [rpm]	Cont. Power [W]	Rated Torque [mNm]	Current at rated Speed [A]	Efficiency at Duty Point [%]
24	10.730	9.300	50	51	2,4	83

Motor Code: 1.21388800021



General informations

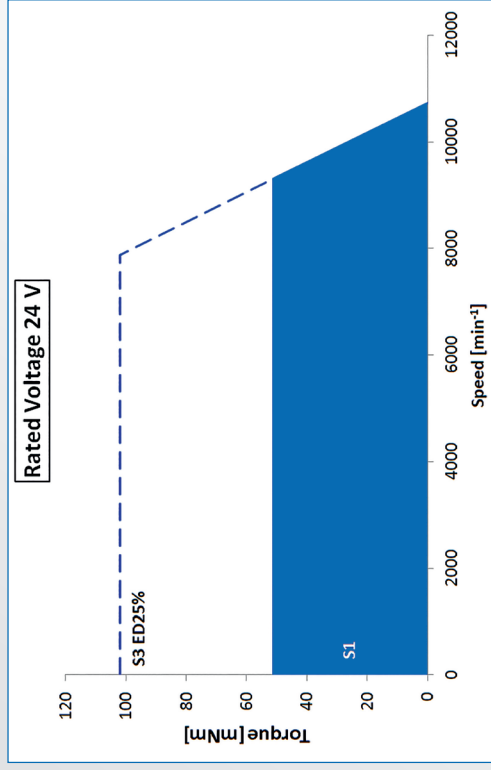
- **Class of protection:** IP20
- **Mounting position:** free
- **Duty cycle:** up to 100 %
- **Bearing system:** Ball Bearings
- **Torque Constant:** 20,4 mNm/A
- **Weight:** 0,14 kg
- **Rotor Inertia:** 26,6 gcm²
- **Oper. Temp. Range:** -20 °C to +45 °C
- **Max. Temp. Rise:** 70 K
- **Direction of Rotation:** CW / CCW
- **Class of Insulation:** H
- **Shaft Material:** Steel, not hardened
- **Number of Poles:** 12

Options

- **Integrated Drive Electro.:** Yes
- **Planetary Gearbox:** Yes
- **Sensorless Operation:** Yes
- **Shaft hardened (Surface):** Yes

Features

- High power-to-volume ratio
- High efficiency at duty point
- Extremely reliable



PM'DM

Minebea Group of Companies
 Minebea-Weg 1
 78052 Villingen-Schwenningen
 GERMANY
www.pmdm.de
 Phone: +49 (0)7721 997-100
 E-Mail: sales@pmdm.de

Minebea
 Passion to Exceed Precision