

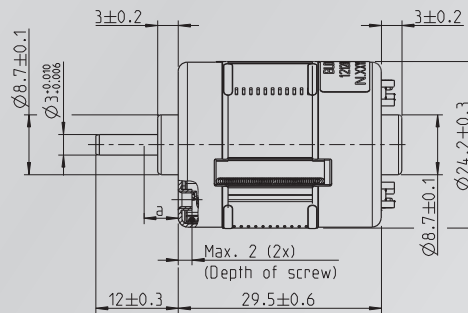
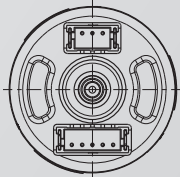
# BLDC 24P16A

80.1.017D

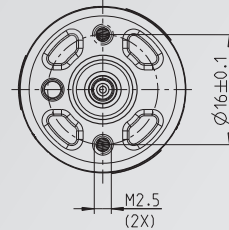
Brushless 3 – Phase DC Motor



Rated Voltage	No Load Speed	Rated Speed	Cont. Power	Rated Torque	Current at rated Speed	Efficiency at Duty Point
[ V ]	[ rpm ]	[ rpm ]	[ W ]	[ mNm ]	[ A ]	[ % ]
12	3.900	2.090	4	19	0,7	48
24	7.800	6.040	12	19	0,75	68



Motor Code: 120988800051



## General informations

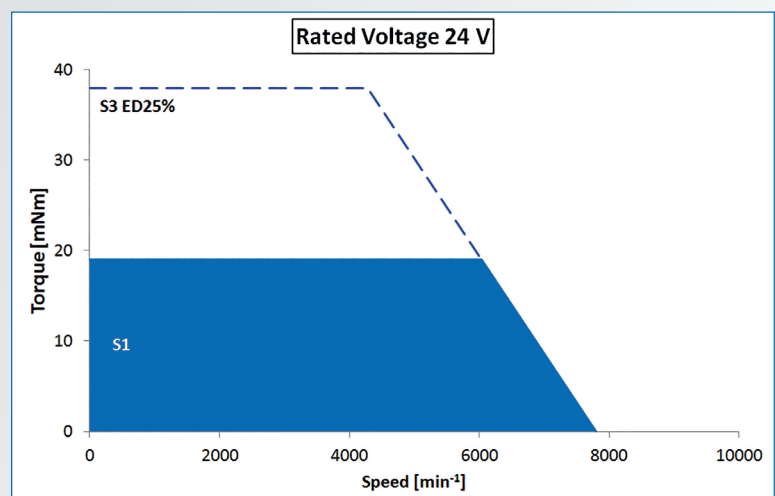
- **Class of protection:** IP20
- **Mounting position:** free
- **Duty cycle:** up to 100 %
- **Bearing system:** Ball Bearings
- **Torque Constant:** 27,3 mNm/A
- **Weight:** 0,055 kg
- **Rotor Inertia:** 2,7 gcm<sup>2</sup>
- **Oper. Temp. Range:** -20 °C to +45 °C
- **Max. Temp. Rise:** 70 K
- **Direction of Rotation:** CW / CCW
- **Class of Insulation:** H
- **Shaft Material:** Steel, not hardened
- **Number of Poles:** 6

## Options

- **Integrated Drive Electro.:** No
- **Planetary Gearbox:** Yes
- **Sensorless Operation:** Yes
- **Shaft hardened (Surface):** Yes

## Features

- High power-to-volume ratio
- High efficiency at duty point
- High reliability



# PM DM

Minebea Group of Companies  
 Minebea-Weg 1  
 78052 Villingen-Schwenningen  
 GERMANY  
 www.pmdm.de  
 Phone: +49 (0)7721 997-100  
 E-Mail: sales@pmdm.de

**Minebea**  
 Passion to Exceed Precision